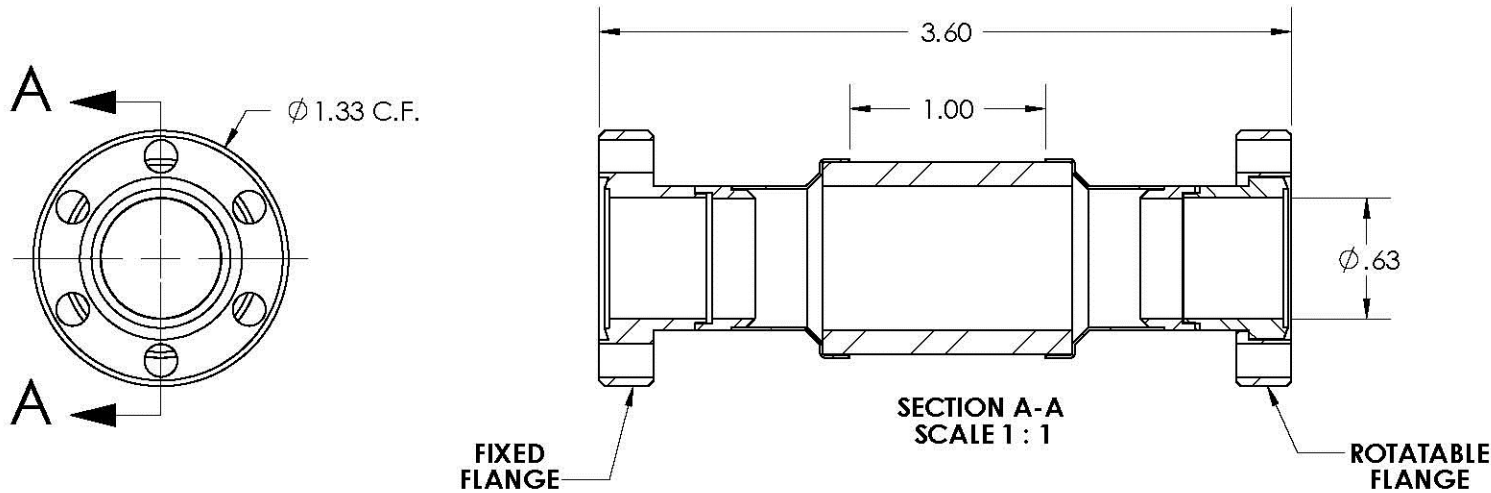
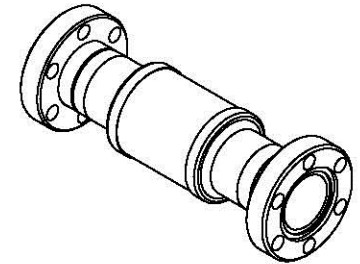


REV
11/6/2013



APPROVED

Ceramic Break, 15KV Isolation, 0.63" Inner Dia, 1.33" Conflat Flange

TITLE:

BREAK, 15KV, 0.75 TUBE, 133CF

PROPRIETARY AND CONFIDENTIAL

UNLESS OTHERWISE SPECIFIED:

ALLECTRA

USED ON:	DIMENSIONS ARE IN INCHES TOLERANCES:	 $\pm .030$ $\pm .015$	FINISH	DRAWN BY	WJ	DATE	SIZE	DWG. NO.	REV
	ANGULAR: MACH $\pm 1/2^\circ$ TWO PLACE DECIMAL THREE PLACE DECIMAL		CONFLAT	CHECKED	WJ	11/05/2013	A	271-CB-15K-16-C16	11/6/2013
			DO NOT SCALE DRAWING	ENG APPR.	WJ	11/05/2013	LAST SAVED DATE	Tuesday, November 05, 2013 8:38:22 AM	