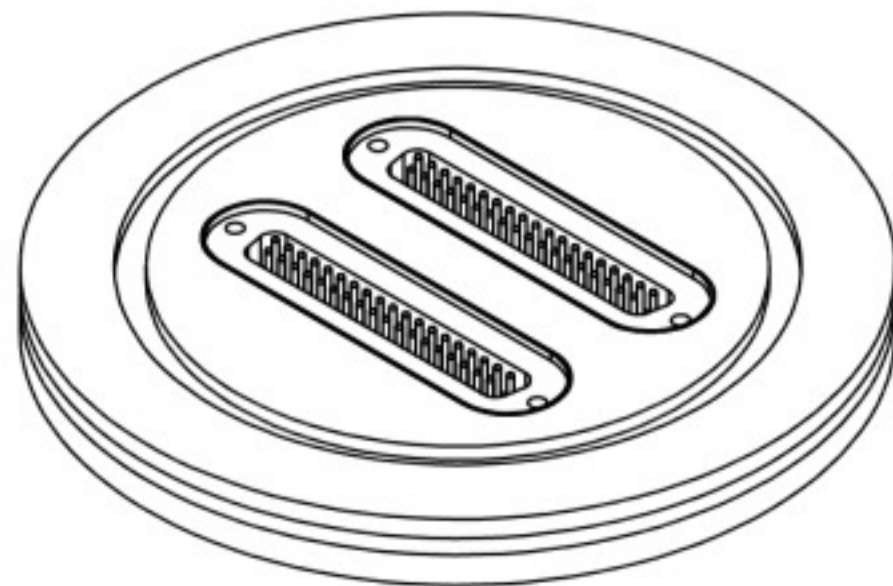
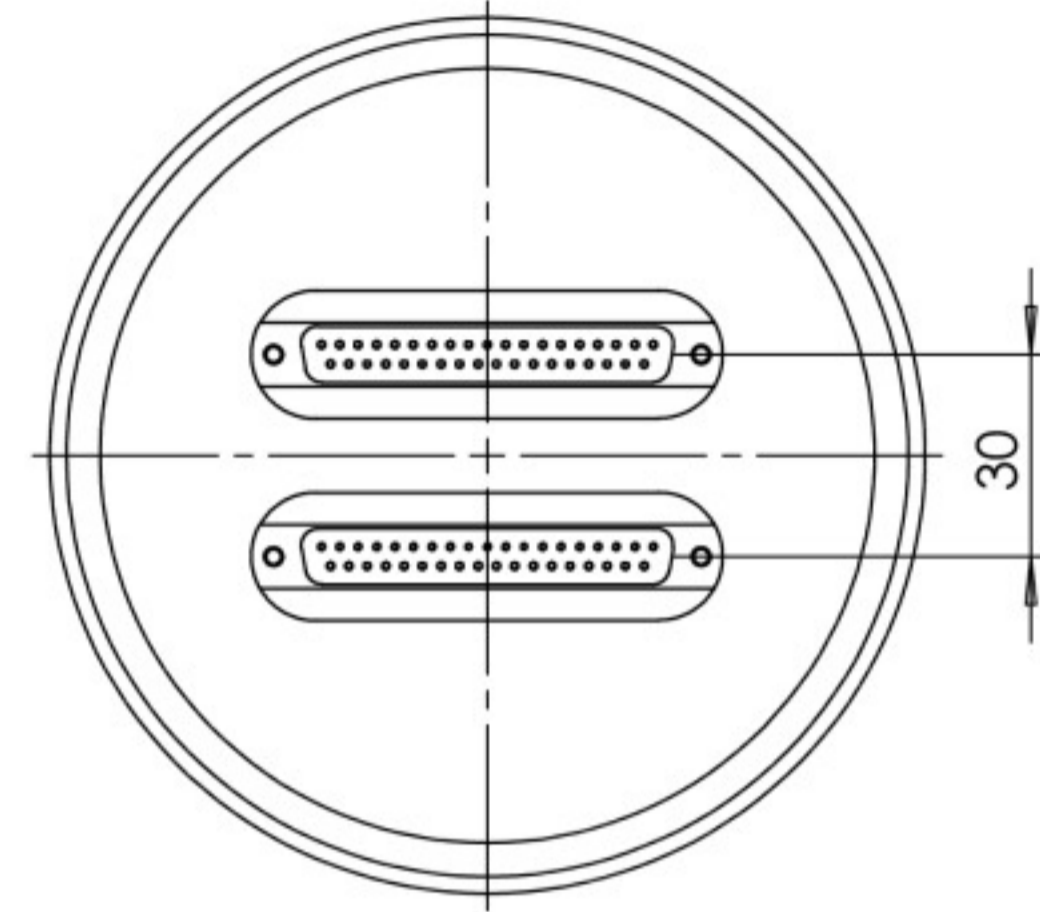
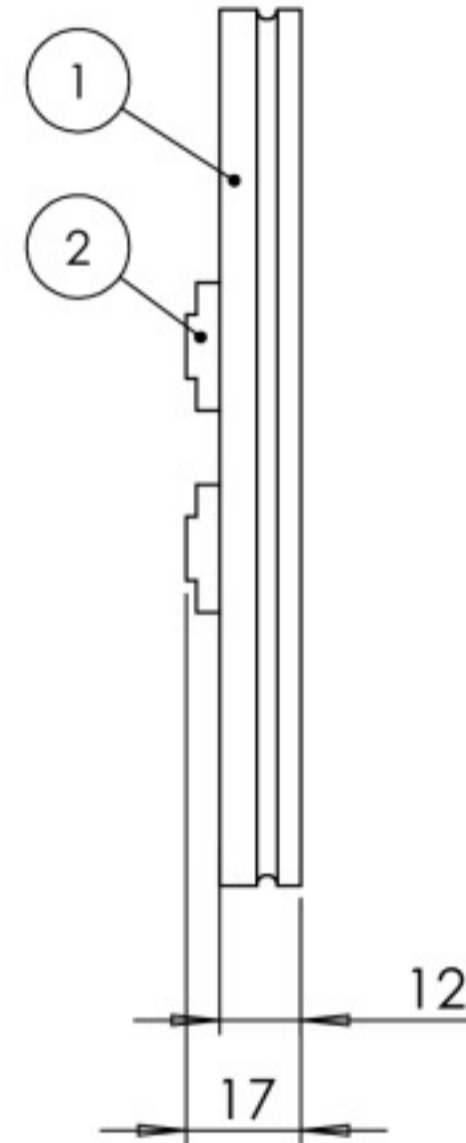
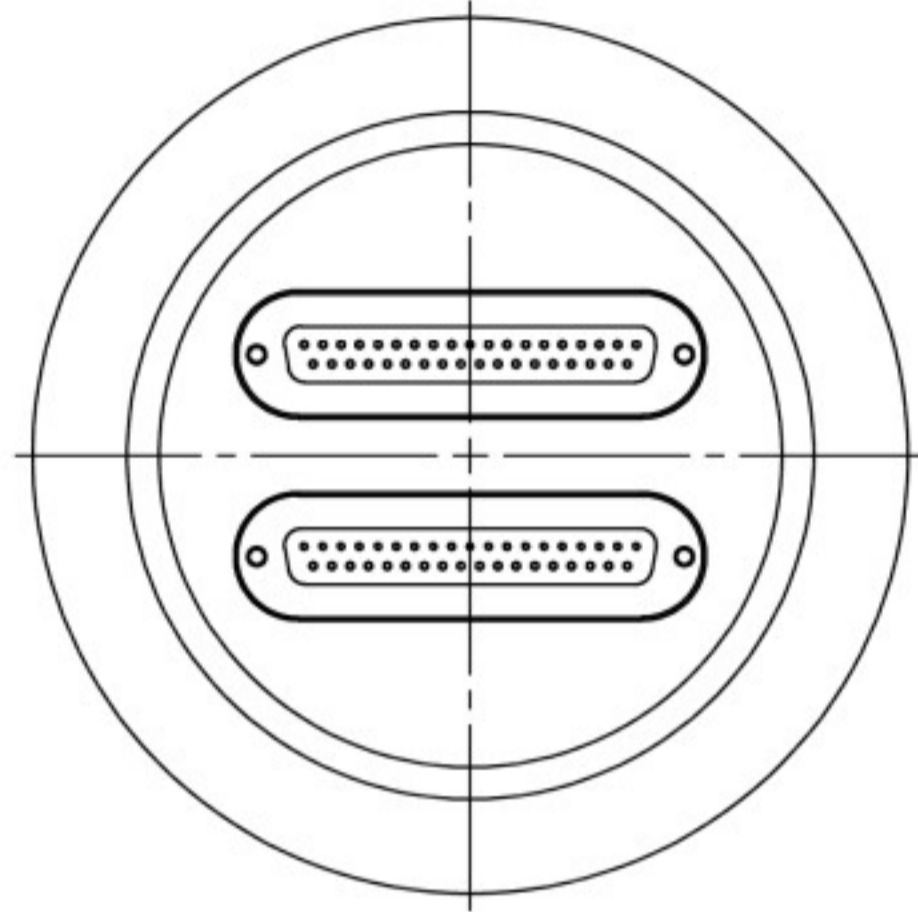


POS-NR.	DESCRIPTION	Material	QTY
1	Modified Flange DN100 ISO-K	1.4301 (X5CrNi18-10)	1
2	Sub-D Feedthrough	Stainless Steel	2



Bemerkungen (Remarks) HSG=85				Freimaßtoleranz (Standard Toleranz)		Maßstab (Scale) 1:2		Rauheit (Roughness) $\sqrt{\quad}$		europ. Projektion	
All informations provided in this drawing is considered to be confidential, proprietary and secret information. It is intended only for the use of individual or entity to whom it is sent. Individual or entity agrees to not disseminate or copy this information to anyone other than originally specified without the written consent Alectra GmbH.				Datum		Name		Material, Standard Oberfläche (Treatment)		Kanten (edges) $\perp_{+0.1}$ $\perp_{-0.25}$	
				Design 24.01.2014		JB		Bezeichnung (Title) 2 of 37 pin SUB-D F/T onto Flange DN100-ISO-K		Gewicht (weight) 9 1230.77	
				Drawn 24.01.2014		JB				Page: 1 Pages: 1	
				Check						Revision	
								Zeichnungsnummer (Drawing No.) 210-D37-ISO100-2			
Index				Modification		Datum		Name		Datei (File) C:\PDMStore\C:\PDMStore\	
								Format A4			