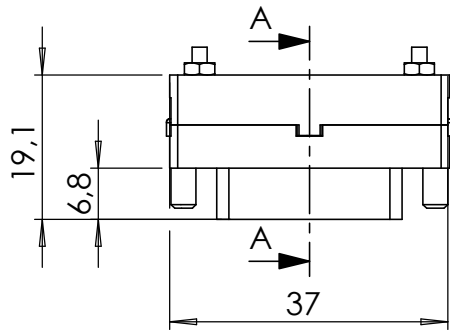
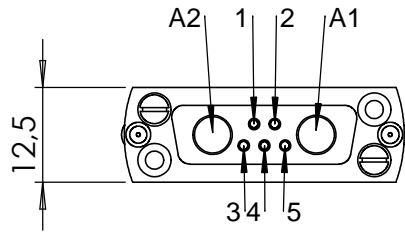
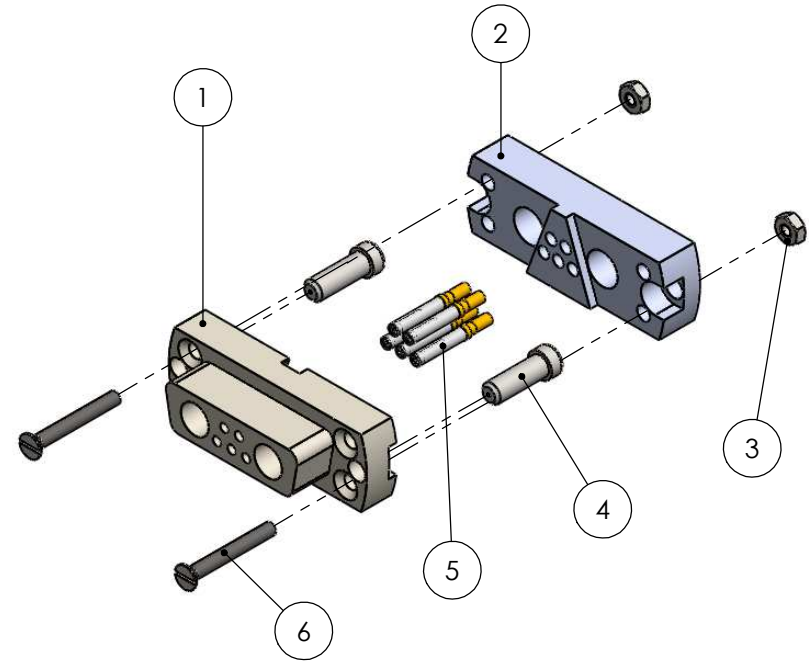
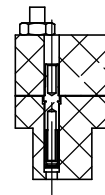


POS-NR.	DESCRIPTION	MATERIAL	QTY
1	Front Plate for UHV-Connector	PEEK	1
2	Back Plate for UHV-Connector	PEEK	1
3	Hexagon Nut M2 DIN934	Stainless Steel	2
4	Slotted Cheese Screw 4-40 UNC	1.4301 (X5CrNi18-10)	2
5	Standard SUB-D Crimp Pin	Copper Alloy Gold plated	5
6	Countersunk M2x20	Stainless Steel	2

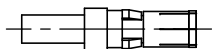


SCHNITT A-A



compatibel contacts not including

contact power
212-POWER-F



contact coax
212-COAX-F



Bemerkungen (Remarks)				Freimaßtoleranz (Standard Toleranz)		Maßstab (Scale)		Rauheit (Roughness)		europ.Projektion	
All informations provided in this drawing is considered to be confidential, proprietary and secret information. If is intended only for the use of individual or entity to whom it is sent. Individual or entity agrees to not disseminate or copy this information to anyone other than originally specified without the written consent Alletra GmbH.						1:1					
				Material, Standard Oberfläche (Treatment)		Kanten (edges)		$\pm 0,1$ $0,25$			
				Bezeichnung (Title)		Gewicht (weight)		g			
Design				Datum		Name		female UHV connector for Combination SUB-D		14.40	
Drawn				20.12.2013		FW				Page: 1	
Check				20.06.2016		FW				Pages: 1	
								Zeichnungsnummer (Drawing No.)		Revision	
								211-FX15-2X5-PK			
Index				Modification		Datum		Datei (File)		Format A4	
								C:\PDMStore\C:\PDMStore\			

