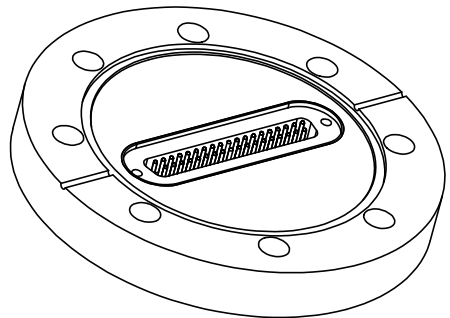
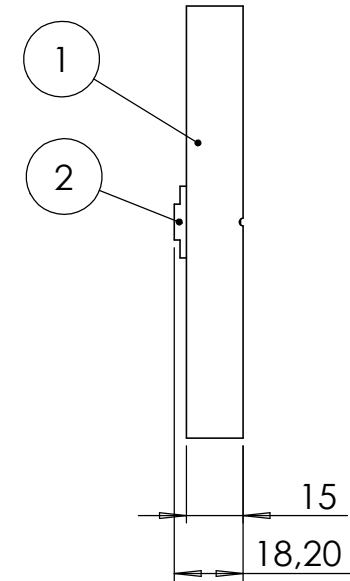
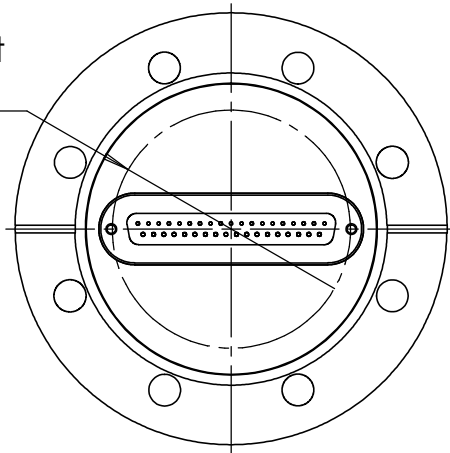


POS-NR.	DESCRIPTION	QTY
1	modified flange DN63 CF	1
2	37 pin SUB-D F/T weldable type	1

∅ 63
Standard ID Gasket
and Tube DN63 CF



Bemerkungen (Remarks)				No Con/HSG of D=63mm					Rauheit (Roughness)		europ.Projektion	
All informations provided in this drawing is considered to be confidential, proprietary and secret information. If is intended only for the use of individual or entity to whom it is sent. Individual or entity agrees to not disseminate or copy this information to anyone other than originally specified without the written consent Allectra GmbH.				Freimaßtoleranz (Standard Toleranz)		Maßstab (Scale)						
						1:2						
				Datum		Name		Material, Standard Oberfläche (Treatment) Bezeichnung (Title) 1 of 37 pin Sub-D F/T onto flange DN63 CF		Kanten (edges)		
				Design 09.04.2014		JB				Gewicht (weight) g		
				Drawn 09.04.2014		JB				1115.50		
				Check				Page: 1		Pages: 2		
								Zeichnungsnummer (Drawing No.)		Revision		
								210-D37-C63				
Index				Modification		Datum		Datei (File)		Format A4		
								C:\PDMStore\IC\PDMStore\				

