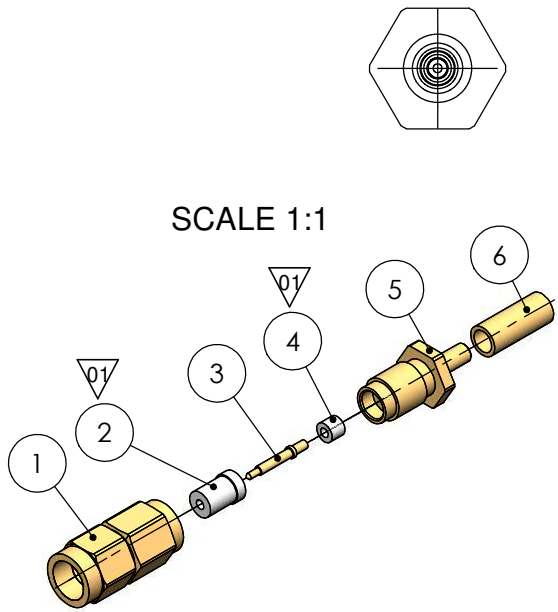
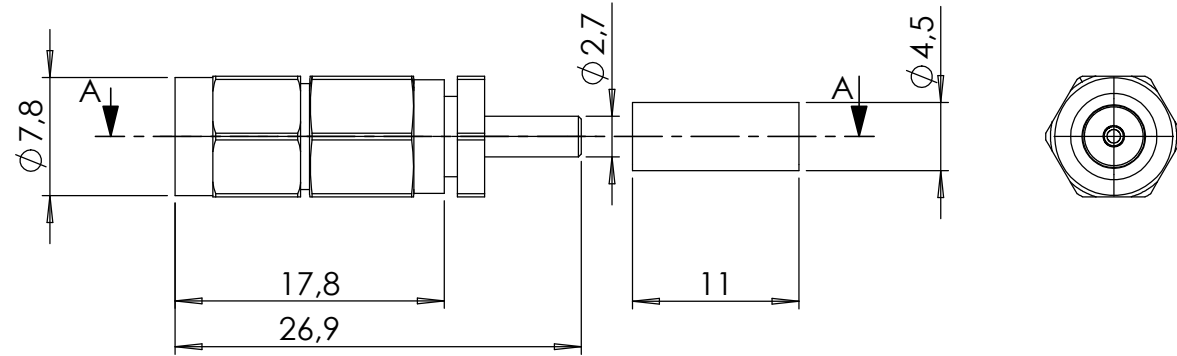


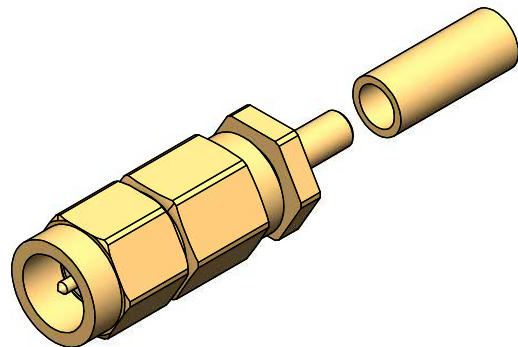
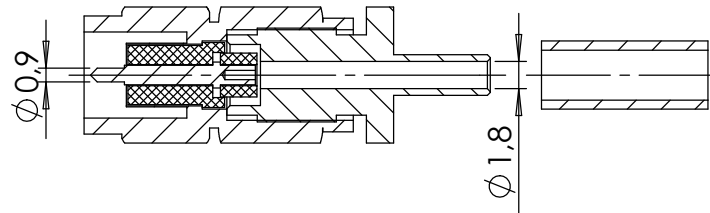
POS-NR.	DESCRIPTION	MATERIAL	QTY
1	con- front part , modified	SS-Gold Plated	1
2	front part ceramic male V3	Glass Ceramic	1
3	PIN for SMA connector	SS-Gold Plated	1
4	back part ceramic male V3	Glass Ceramic	1
5	con-back part	SS-Gold Plated	1
6	crimp tube	SS-Gold Plated	1



SCALE 1:1



CUT A-A
SCALE 2:1



Bemerkungen (Remarks)				Freimaßtoleranz (Standard Toleranz)		Maßstab (Scale)	Rauheit (Roughness)	europ.Projektion						
All informations provided in this drawing is considered to be confidential, proprietary and secret information. If is intended only for the use of individual or entity to whom it is sent. Individual or entity agrees to not disseminate or copy this information to anyone other than originally specified without the written consent Allectra GmbH.				Datum		Name	Material, Standard Oberfläche (Treatment)	 						
										Design 11.08.2020		JB	Bezeichnung (Title)	Kanten (edges)
										Drawn 11.08.2020				
				Check			SMA connector, ceramic V3 7.35 g							
01 ceramic parts changed dim.				11.08.20		JB	Zeichnungsnummer (Drawing No.)		Revision					
Index				Modification		Datum	245-CON-SMA-CER-V3		01					
							Datei (File) C:\PDMStore\C\PDMStore\		Format A4					