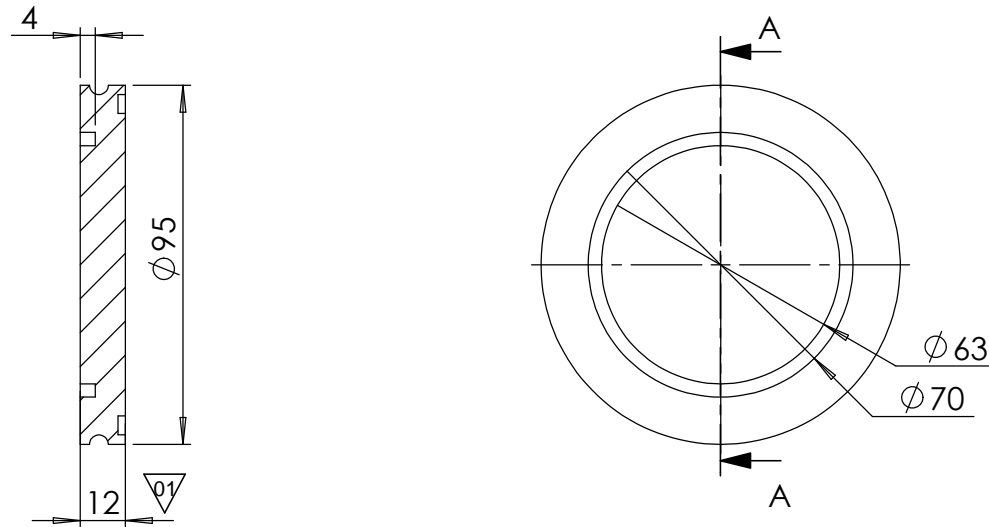
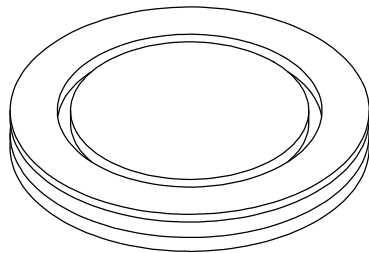


SCHNITT A-A



All non-specified dimensions and specifications in accordance with DIN28403 + ISO2861



Bemerkungen (Remarks)				Freimaßtoleranz (Standard Toleranz)		Maßstab (Scale)	Rauheit (Roughness)	europ.Projektion		
All informations provided in this drawing is considered to be confidential, proprietary and secret information. If is intended only for the use of individual or entity to whom it is sent. Individual or entity agrees to not disseminate or copy this information to anyone other than originally specified without the written consent Allectra GmbH.				DIN ISO 2768 f-H		1:2	$\sqrt{Rz\ 16\ (Rz\ 6.3)}$			
				Material, Standard		1.4301 (304)		Oberfläche (Treatment)		Kanten (edges)
				Datum	Name	Bezeichnung (Title)			Gewicht (weight)	
				Design	05.10.2016	JB	blank flange DN63 ISO-K			g
				Drawn	05.10.2016	JB				605.13
				Check						Page: 1
								Pages: 2		
								Revision		
01	thickness 17mm to 12mm	05.10.16	JB			Zeichnungsnummer (Drawing No.)		441-ISO63-B		01
Index	Modification	Datum	Name			Datei (File)		C:\PDMStore\I:\PDMStore\		Format