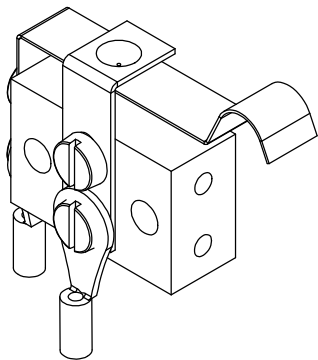
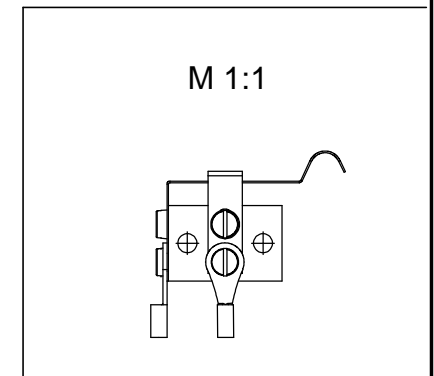
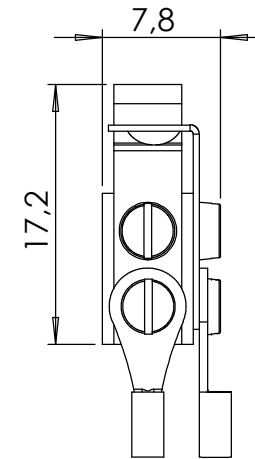
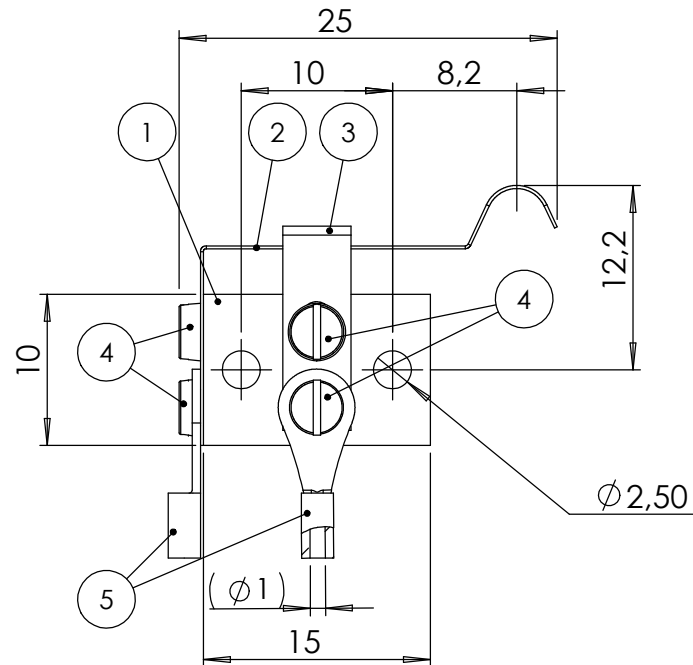


POS-NR.	DESCRIPTION	MATERIAL	QTY
1	Block	PEEK (Natur)	1
2	Trigger Sheet	2.1247 (CuBe2) gold plated	1
3	Contact Sheet	Copper Alloy Gold plated	1
4	SCREW M2x5	Stainless Steel	4
5	Cable Ring	copper tin plated	2



Bemerkungen (Remarks)				Freimaßtoleranz (Standard Toleranz)		Maßstab (Scale)	Rauheit (Roughness)		europ.Projektion					
All informations provided in this drawing is considered to be confidential, proprietary and secret information. It is intended only for the use of individual or entity to whom it is sent. Individual or entity agrees to not disseminate or copy this information to anyone other than originally specified without the written consent Allectra GmbH.						2:1								
											Material, Standard		Kanten (edges)	
											Oberfläche (Treatment)			
				Design	22.10.2014	FW	Bezeichnung (Title) <b>UHV-Limit Switch</b> <b>Type 1</b>		Gewicht (weight) <b>g</b>					
				Drawn	17.11.2014	FW			2.91					
				Check	18.11.2014				Page: 2 Pages: 2					
						Zeichnungsnummer (Drawing No.)		Revision						
						363-SWITCH-1								
Index	Modification	Datum	Name	Datei (File)		C:\PDMStore\IC\PDMStore\		Format <b>A4</b>						