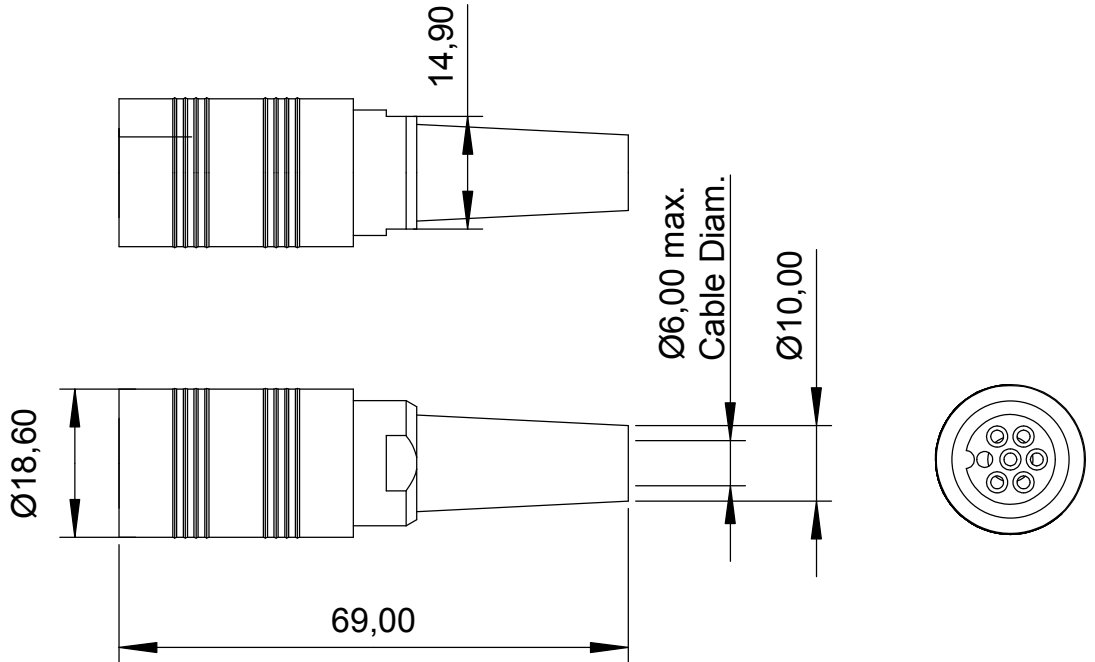
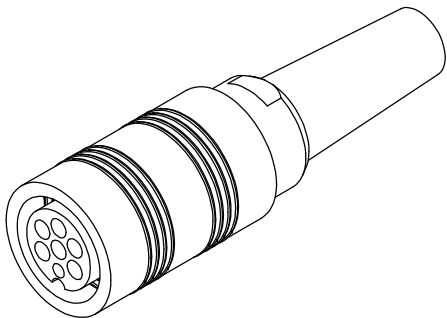
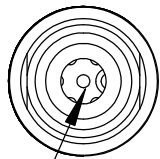


Solder Pins



Project/Subsystem				admissible Tolerance for standard DIN ISO 2786f		Scale <b>1 : 1</b>	(Weight)
Connector for Miniature f/t						(Material, Standard) (Blank-No) (Model-Nr)	
				Date	Name	Designation	
				Drawn	23.02.11	Air side connector for	
				Check		6 pin miniature f/t	
						Drawing. No.	
				allectra GmbH Traubeneichenstr. 62-66 16567 Schoenfliess		<b>220-CON6-AIR</b>	
						Edition	
						Sheet	
Cond.	Modifikation	Date	Name				