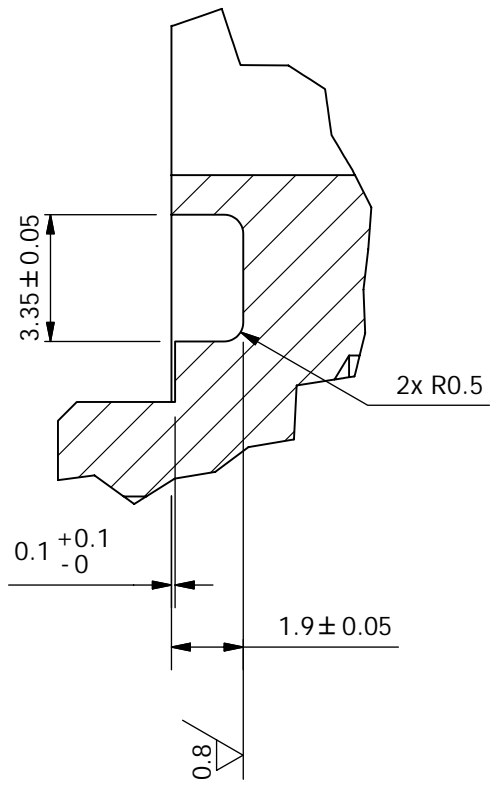
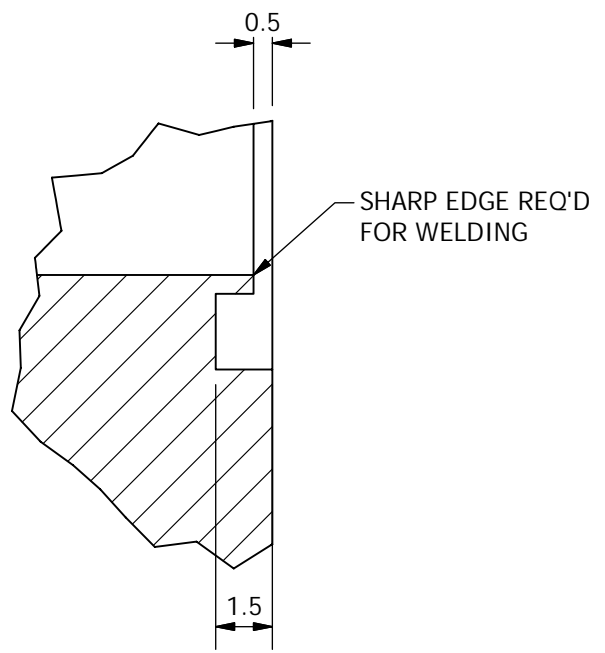


REVISION HISTORY			
ISSUE	DESCRIPTION	DATE	APPROVED
A	NEW DRAWING	26/02/2013	

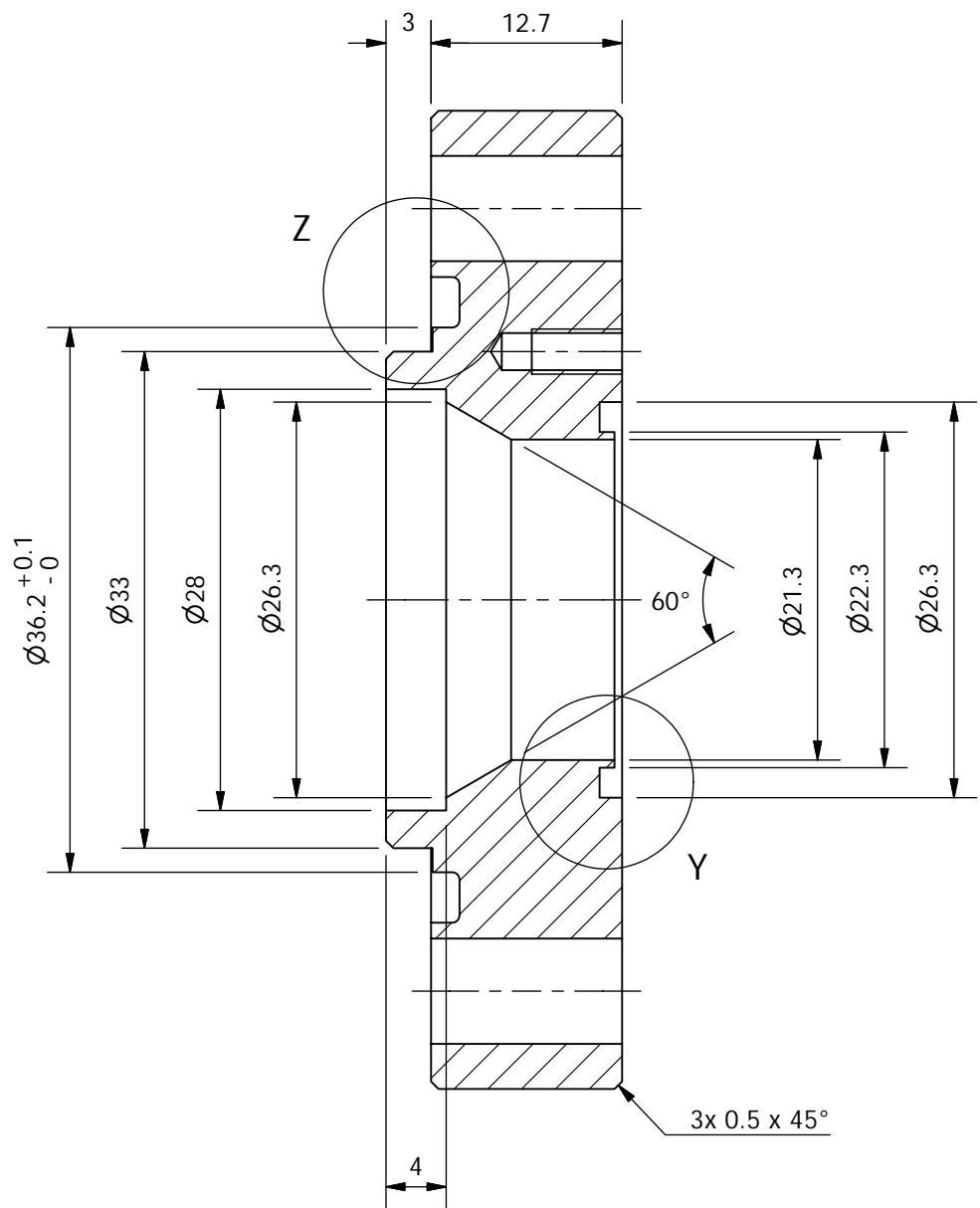
Z (5 : 1)



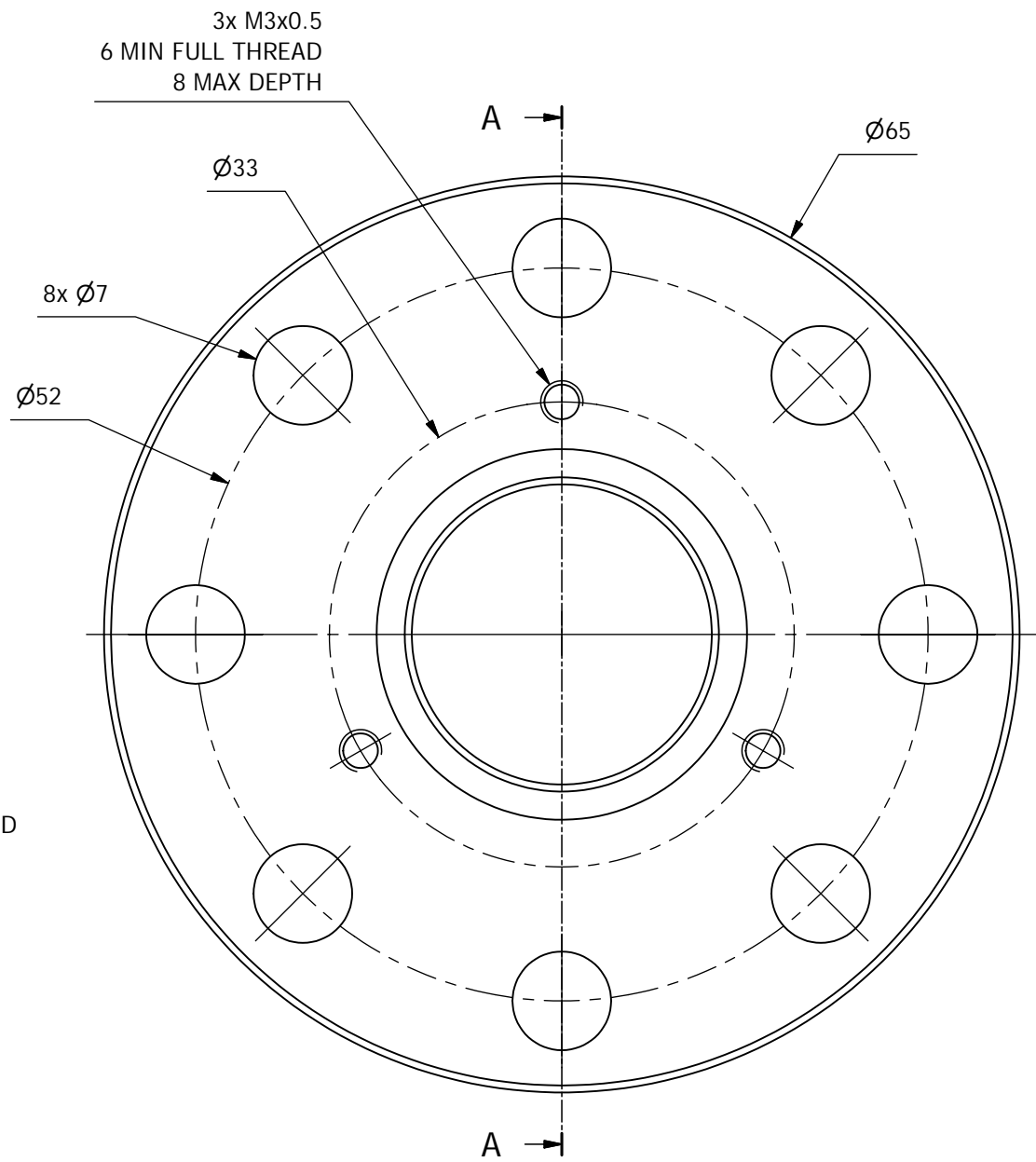
Y (5 : 1)



A-A



(2 : 1)



Material: SS 316L	
Dimensions - mm Angular ± 0.5° Surface Finish 1.6µm	Third Angle Projection
Tolerances - Unless Stated	
Basic Size	Limit
0 - 18	± 0.10
18 - 120	± 0.15
120 - 315	± 0.20
315 - 630	± 0.35
630 - 1000	± 0.50
1000 - 2000	± 1.00

Designed by KJP	Checked by	Approved by	Date 26/02/2013	Date 26/02/2013
ALLECTRA LTD			WINDOW FLANGE M/C DETAIL	
AL-776-3			Edition A	Sheet 1 / 1