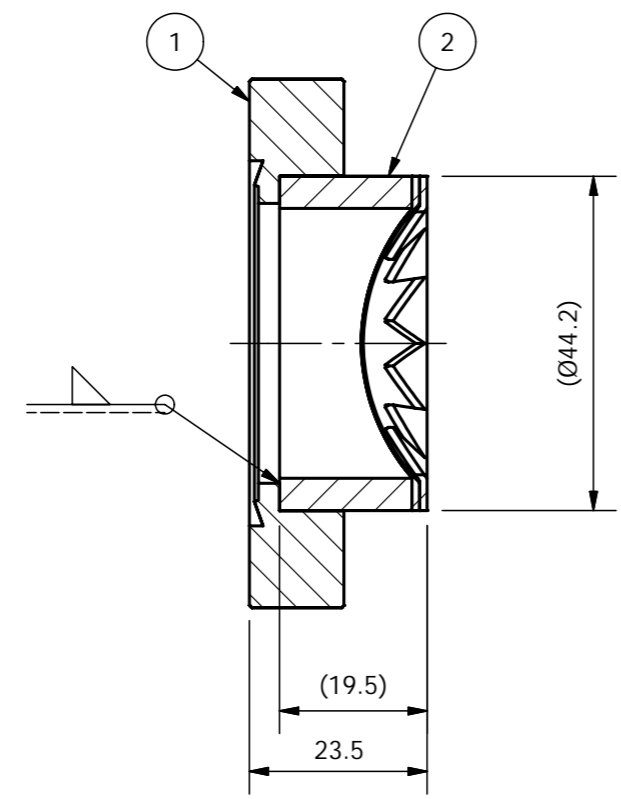
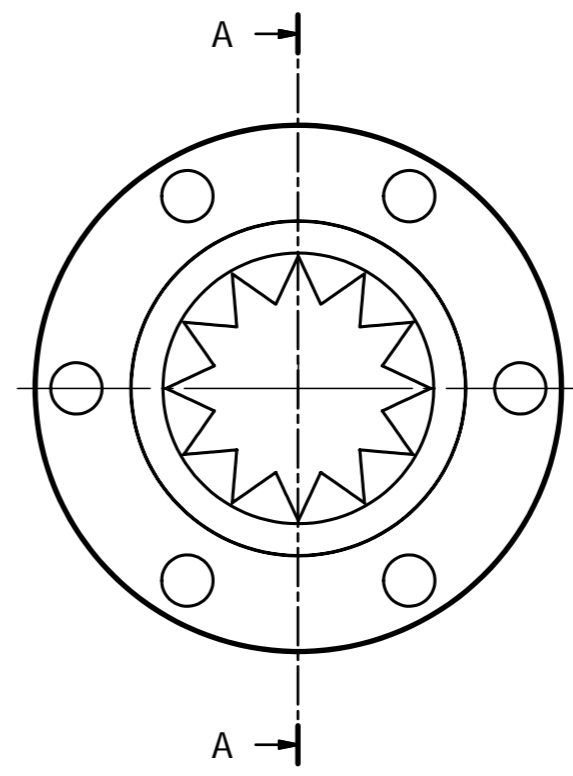


REVISION HISTORY			
ISSUE	DESCRIPTION	DATE	APPROVED
A	NEW DRAWING	07/10/2010	
B	DIMN 23.5 WAS (25)	24/08/2011	



A-A (1 : 1)



- NOTES:
1. ALL WELDS TO BE T.I.G.
 2. FINISH - CLEAN AND He LEAK CHECK TO UHV STANDARDS.

PARTS LIST			
ITEM	PART NUMBER	DESCRIPTION	QTY
1	AL-397-3	SPECIAL FLANGE DN40CF BORED	1
2		PRESSURE BURST DISK	1

Designed by KJP	Checked by	Approved by	Date 07/10/2010	File Name al-396.idw	Date 07/10/2010	
ALLECTRA LTD			PRESSURE BURST DISK DN40CF			
			461-PBD-C40	Edition B	Sheet 1 / 1	