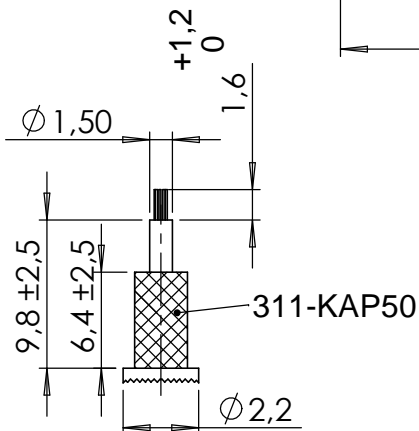
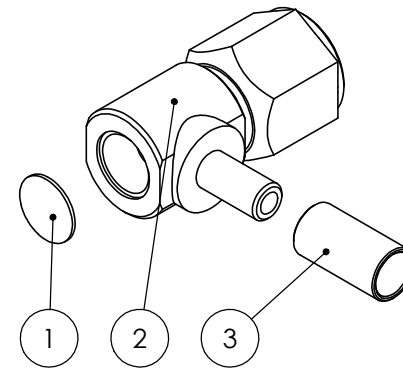
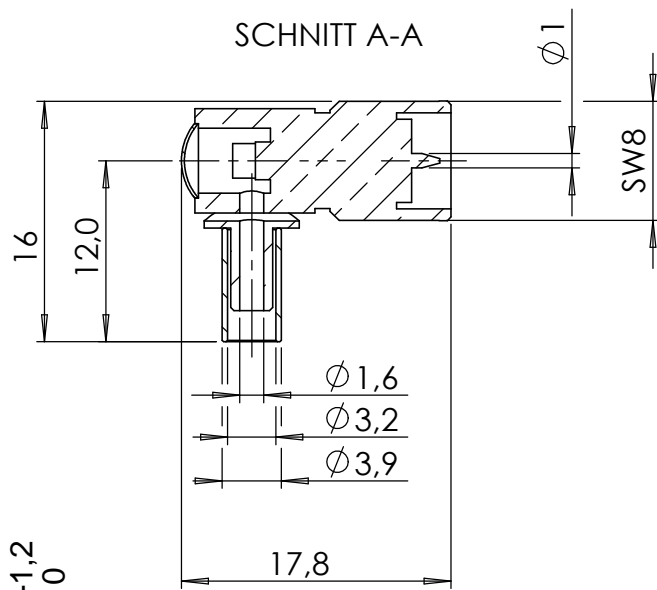
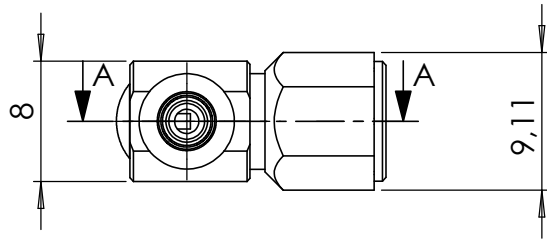
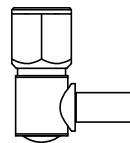


| POS-NR. | DESCRIPTION    | MATERIAL                 | QTY |
|---------|----------------|--------------------------|-----|
| 1       | Plat body      | Copper Alloy Gold plated | 1   |
| 2       | Connector body | Copper Alloy Gold plated | 1   |
| 3       | Crimp tube     | Copper Alloy Gold plated | 1   |



Cable strip Dimensions

MAßSTAB 1 : 1



|   |              |       |      |                                     |  |                            |  |   |  |                                     |  |
|---|--------------|-------|------|-------------------------------------|--|----------------------------|--|---|--|-------------------------------------|--|
| Bemerkungen (Remarks)   |              |       |      | Freimaßtoleranz (Standard Toleranz) |  | Maßstab (Scale)            |  | Rauheit (Roughness)                       |  | europ.Projektion                    |  |
| All informations provided in this drawing is considered to be confidential, proprietary and secret information. If is intended only for the use of individual or entity to whom it is sent. Individual or entity agrees to not disseminate or copy this information to anyone other than originally specified without the written consent Allecra GmbH. |              |       |      | Datum                               |  | Name                       |  | Material, Standard Oberfläche (Treatment) |  | Kanten (edges) $\pm 0,1$ $\pm 0,25$ |  |
|   |              |       |      | Design 06.11.2013                   |  | FW                         |  |   |  |                                     |  |
|   |              |       |      | Drawn 06.11.2013                    |  | FW                         |  |   |  |                                     |  |
| Check 06.11.2013  |              |       |      | Bezeichnung (Title)                 |  | SMA-Connector              |  | Gewicht (weight) 9                        |  |                                     |  |
|   |              |       |      | right angel non magnetic            |  | 6.25                       |  | Page: 1                                   |  | Pages: 1                            |  |
|   |              |       |      | Zeichnungsnummer (Drawing No.)      |  | 245-CON-SMA-90-NM          |  | Revision                                  |  |                                     |  |
|   |              |       |      | Datei (File)                        |  | C:\PDMSStore\C:\PDMSStore\ |  | Format                                    |  | A4                                  |  |
| Index   | Modification | Datum | Name | allecra                             |  |                            |  |   |  |                                     |  |