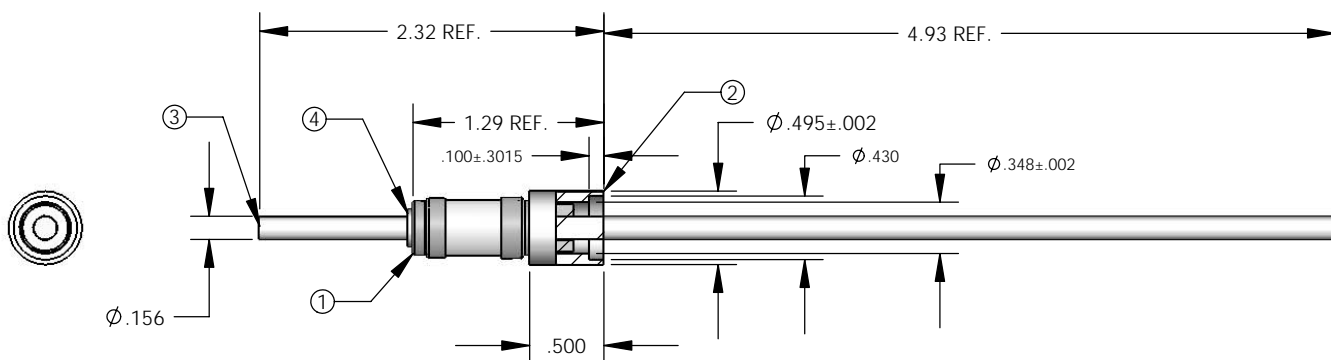


REV
6/7/2007



PART#	CONDUCTOR MATERIAL
1	FOHC COPPER
2	NICKEL-200
3	MOLYBDENUM
4	304 STN.STL.

ITEM NO.	DESCRIPTION	QTY.
1	SUB ASSEMBLY	1
2	ADPT 304 STN STL	1
3	CONDUCTOR SEE TABLE	1
4	WASHER	1

APPROVED

TITLE:
5KV UHV FEEDTHRU

PROPRIETARY AND CONFIDENTIAL UNLESS OTHERWISE SPECIFIED:

ALLECTRA

THE INFORMATION CONTAINED IN THIS DRAWING IS THE SOLE PROPERTY OF ALLECTRA. ANY REPRODUCTION IN PART OR AS A WHOLE WITHOUT THE WRITTEN PERMISSION OF ALLECTRA IS PROHIBITED.

DIMENSIONS ARE IN INCHES TOLERANCES:
ANGULAR: MACH ± 1/2 °
TWO PLACE DECIMAL ± .010
THREE PLACE DECIMAL ± .005

FINISH	DRAWN BY	DD	DATE
WELDABLE	DD	DD	6/7/2007
DO NOT SCALE DRAWING	CHECKED	DD	
	ENG APPR.	DD	DD

SIZE	DWG. NO.	REV
A	261-40CU5K	6/7/2007
DATE DRAWN	Friday, December 03, 2004 10:14:18 AM	