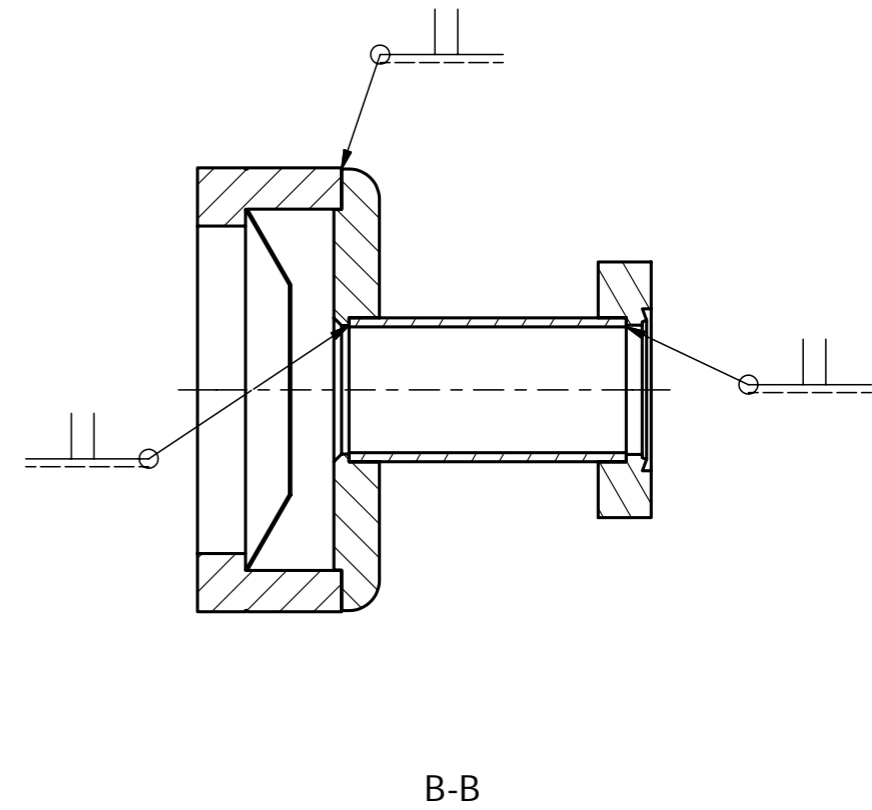
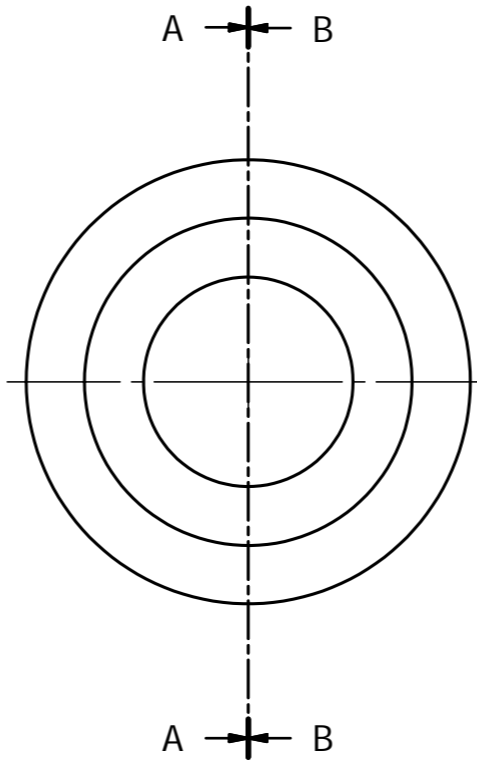
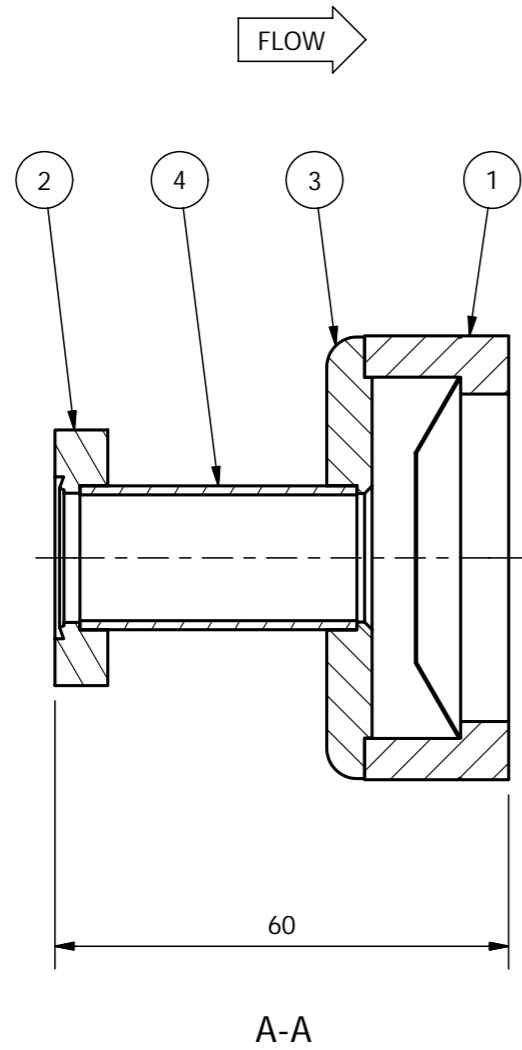


REVISION HISTORY			
ISSUE	DESCRIPTION	DATE	APPROVED
A	NEW DRAWING	24/10/2012	



NOTES:

1. ALL WELDS TO BE T.I.G.
2. BURST RANGE: MIN 0.6 BAR  
MAX 0.8 BAR ±0.2 BAR
3. FINISH - CLEAN TO UHV STANDARD.
4. LEAK TEST FOR A LEAK RATE LESS THAN  $5 \times 10^{-10}$  mbar l/s He (PULL VACUUM ONLY FROM INLET SIDE).

PARTS LIST

ITEM	PART NUMBER	DESCRIPTION	QTY
1		PRESSURE BURST DISK	1
2	411-CF16-19	DN16CF FLANGE FIXED BORED	1
3	AL-731-4	TUBE/PBD ADAPTOR PLATE	1
4		SS TUBE 19.05 O.D. x 1.2mm	1

Material: SS 316L	
Dimensions - mm	Third Angle Projection
Angular ± 0.5°	
Surface Finish 1.6µm	
Tolerances - Unless Stated	
Basic Size	Limit
0 - 18	± 0.10
18 - 120	± 0.15
120 - 315	± 0.20
315 - 630	± 0.35
630 - 1000	± 0.50
1000 - 2000	± 1.00

Designed by	Checked by	Approved by	Date	File Name	Date	
KJP			24/10/2012	al-730.dwg	24/10/2012	
ALLECTRA LTD			PRESSURE BURST DISK DN16CF LP			
			461-PBD-C16-LP		Edition	Sheet
					A	1 / 1