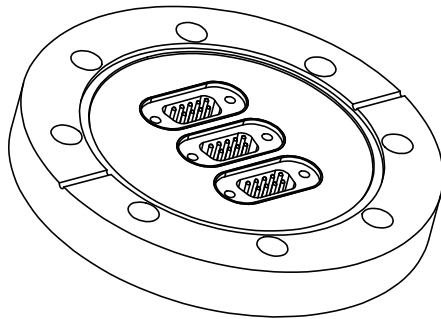
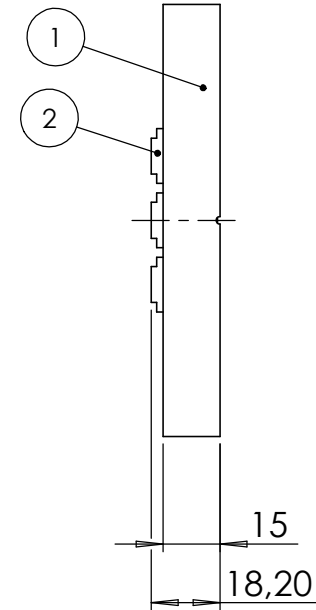
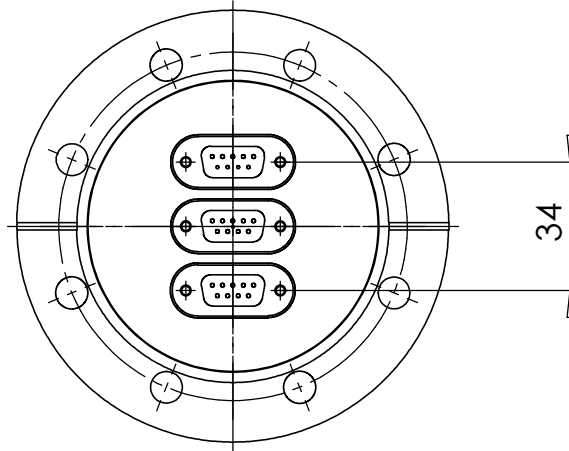


POS-NR.	DESCRIPTION	MATERIAL	QTY
1	Modified Flange DN63 CF	1.4404 (X2CrNiMo17-12-2)	1
2	SUB-D 9 pin F/T	Stainless Steel	3



Bemerkungen (Remarks) HSG=63				Freimaßtoleranz (Standard Toleranz) DIN ISO 2768 f-H		Maßstab (Scale) 1:2		Funktionsmerkmale nach ISO/TS 16949 (functional featur after ISO/TS 16949)		Rauheit (Rougness) $\sqrt{Rz 16 (Rz 6.3)}$		europ.Projektion	
All informations provided in this drawing is considered to be confidential, proprietary and secret information. If is intended only for the use of individual or entity to whom it is sent. Individual or entity agrees to not disseminate or copy this information to anyone other than originally specified without the written consent Alectra GmbH.				Datum		Name		Material, Standard Oberfläche (Treatment) 3 of 9 pin SUB-D F/T onto flange DN63 CF		Kanten (edges) $\pm 0,1$ $L_{0,25}$		Gewicht (weight) 9 1109,45	
				Design		18.11.2013 FW							
				Drawn		18.11.2013 FW							
				Check		18.11.2013							
Index				Modification		Datum		Name		Zeichnungsnummer (Drawing No.) 210-D09-C63-3		Revision	
								Datei (File) C:\PDMStore\C\PDMStore\		Page: 1		Pages: 1	
												Format A4	