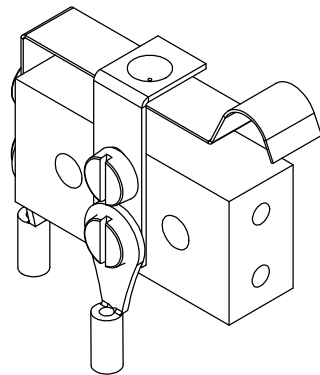
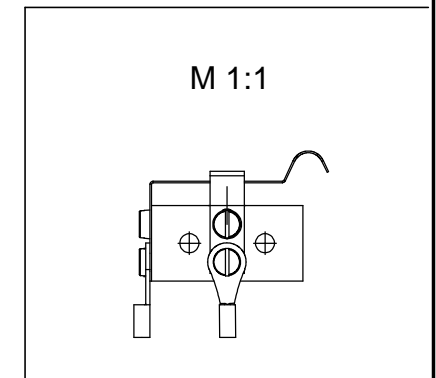
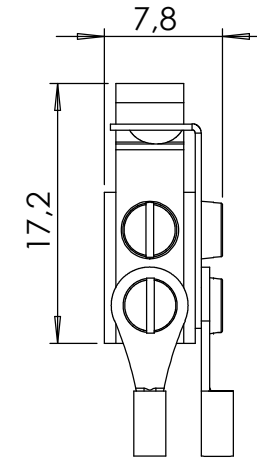
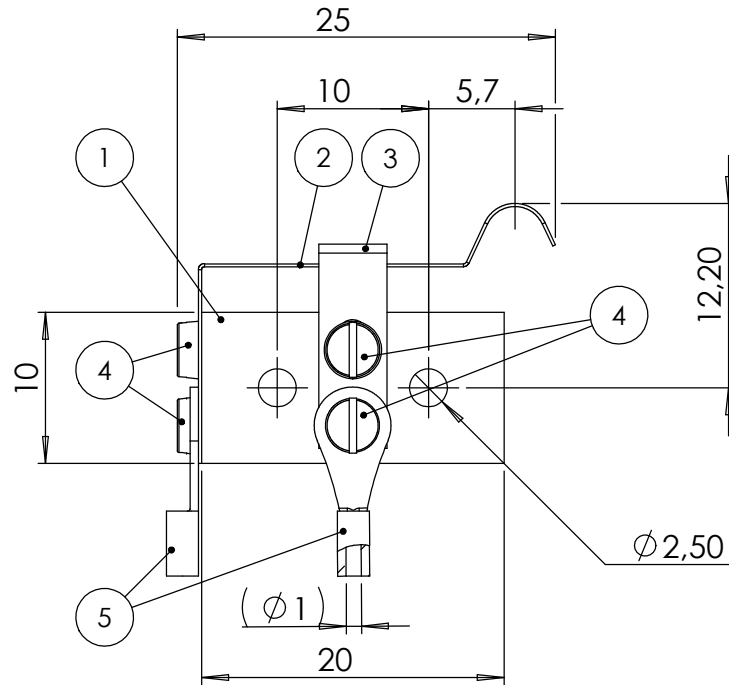


POS-NR.	DESCRIPTION	MATERIAL	QTY
1	Block	PEEK (Natur)	1
2	Trigger Sheet	2.1247 (CuBe2) gold plated	1
3	Contact Sheet	Copper Alloy Gold plated	1
4	SCREW M2X4	Stainless Steel	4
5	Cable Ring	copper tin plated	2



Bemerkungen (Remarks)				Freimaßtoleranz (Standard Toleranz)		Maßstab (Scale)	Rauheit (Roughness)	europ.Projektion		
All informations provided in this drawing is considered to be confidential, proprietary and secret information. If is intended only for the use of individual or entity to whom it is sent. Individual or entity agrees to not disseminate or copy this information to anyone other than originally specified without the written consent Allectra GmbH.						2:1				
								Material, Standard Oberfläche (Treatment)	Kanten (edges)	
								Bezeichnung (Title)	Gewicht (weight) g	
		Design	22.10.2014	FW	UHV-Limit Switch Type 2		3.17			
		Drawn	06.11.2014	FW			Page: 2	Pages: 2		
		Check	07.11.2014							
						Zeichnungsnummer (Drawing No.)		Revision		
						363-SWITCH-2				
						Datei (File) C:\PDMStore\C:\PDMStore\		Format A4		
Index	Modification	Datum	Name							

allectra